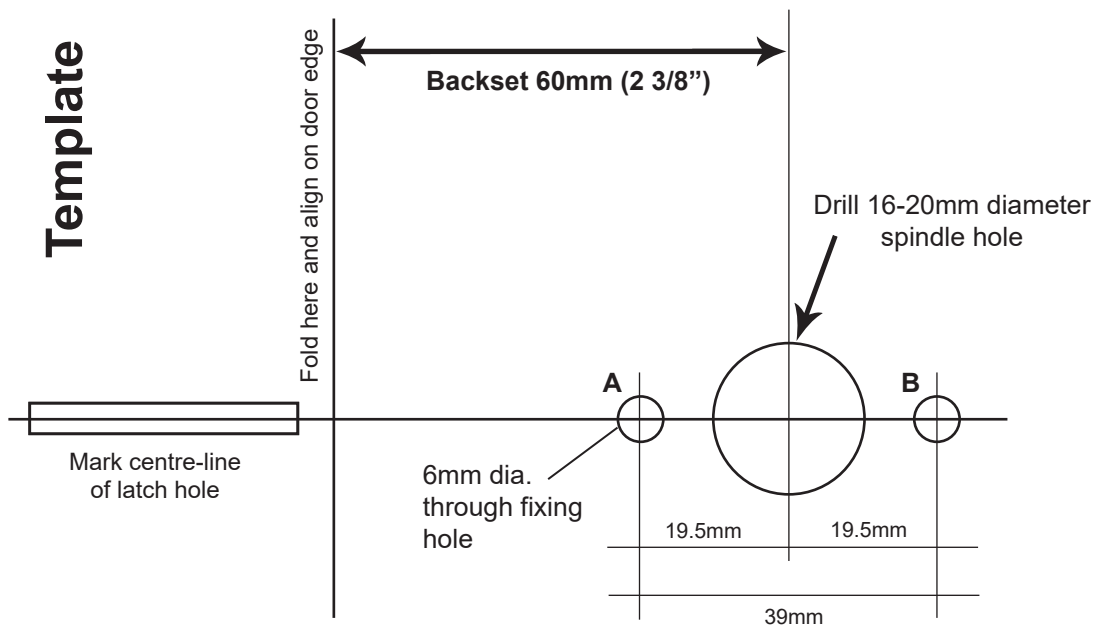


Manital Passage Set Template & Fitting Instructions

Always check measure the template before using it to make sure the template measurements are accurate. Templates can shrink with printing!

For Passage Sets Only - For Techna & Flash models only

1. Mark Door at 60mm backset from door edge.
2. Drill spindle centre hole 16-20mm in diameter.
3. Drill 2 x 6mm diameter holes at **A & B**.
4. Mark the centre-line for the latch hole in the door edge. Drill 25mm diameter hole for the latch and check out the door edge for the face plate.



5. Insert latch into door edge and fix with wood screws.
6. Insert the 7.6 x 105mm thick square spindle rod through the centre of the latch cam, making sure the “grub screw grooves” are facing downward. The grub screw grooves are the deeper & wider channels on the spindle.
7. Mount nylon spring cassettes to both sides of door with “made in EU” facing upwards (The two smaller horizontal holes need to be above the two larger horizontal holes) and secure in place with brass posts and long machine screws (through the two larger horizontal holes). **Do not install cover plates at this stage.**
8. Attach the circular plastic washers to each of the lever necks and fit levers over the central spindle and onto the spring cassettes. Visually check that the levers, spring cassettes, and latch are all in alignment. Tighten the grub screws to the underside of the lever necks (which will secure the levers to the spindle) using the allen key provided.
9. Check that the lever functions correctly.
10. Loosen the grubs screws on the lever necks and remove the handles.
11. **Making sure the spring cassettes are horizontal**, mark the door for the wood screws using the two smaller horizontal holes located above the larger post/screw holes. Drill pilot holes and fix the wood screws.
12. Fit the cover plates over the spring cassettes, making sure the release notch on the cover plate is located on the underside.
13. Refit the levers and tighten the grub screws.
14. Check that the levers function correctly.